

Dice of the Living Dead - Roll 'n' Write 0.2

Search

Gasoline
 ⇒ ⇒

Pistol
 > > ⇒ = = ⇒

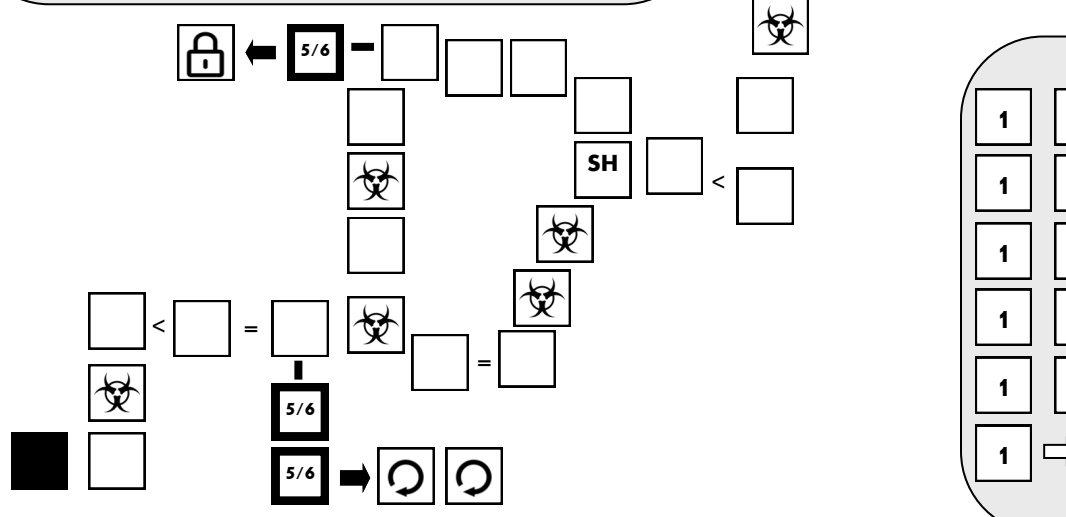
Running Shoes
 = = ⇒ **Map**
 ⇒

Rifle
 < < < ⇒

Time: Safe House 1
 ⇒

Time: Safe House 2
 ⇒

White Dice	Black Dice
1 - Zombie ☠	1 - Zombie ☠
2 - Time	2 - Search
3 - Move	3 - Search
4 - Move	4 - Search
5 - Move	5 - Search
6 - Fight	6 - Fight



Zombies

1	1	1	1	1
1	1	1	1	1
1	1	1	1	1
1	1	1	1	1
1	1	1	1	1
1	1	1	1	1
1	1	1	1	1

Dice of the Living Dead - Roll 'n' Write 0.2

Search

Gasoline
 ⇒ ⇒

Pistol
 > > ⇒ = = ⇒

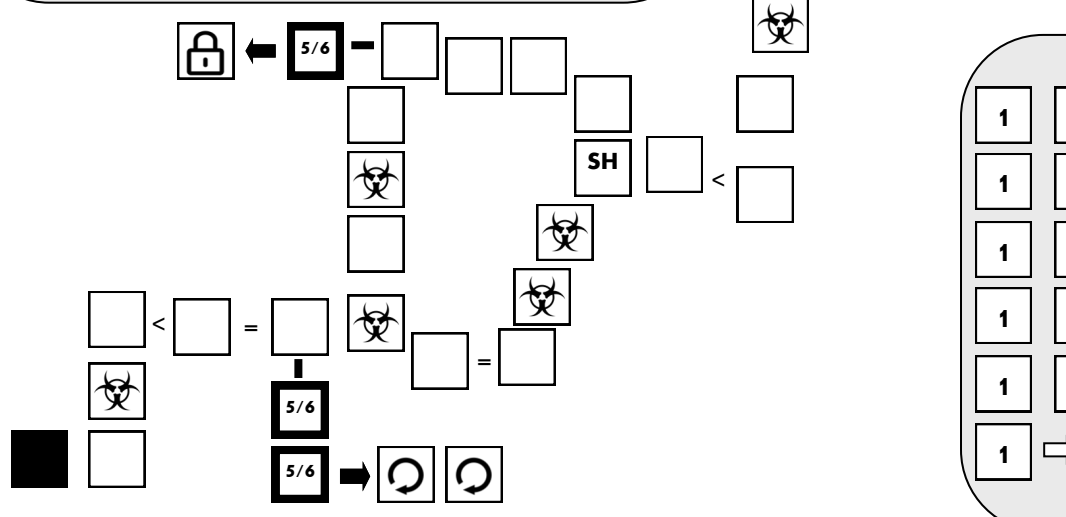
Running Shoes
 = = ⇒ **Map**
 ⇒

Rifle
 < < < ⇒

Time: Safe House 1
 ⇒

Time: Safe House 2
 ⇒

White Dice	Black Dice
1 - Zombie ☠	1 - Zombie ☠
2 - Time	2 - Search
3 - Move	3 - Search
4 - Move	4 - Search
5 - Move	5 - Search
6 - Fight	6 - Fight



Zombies

1	1	1	1	1
1	1	1	1	1
1	1	1	1	1
1	1	1	1	1
1	1	1	1	1
1	1	1	1	1
1	1	1	1	1